

# Building Management Interfaces

Procon MelcoBEMS MINI  
(AIM) BMS Interface

PRODUCT FLYER



Remote monitoring and control



Introducing the New Procon Melco BEMS MINI

Designed to connect individual indoor units to a third party BMS. The Procon Mini continually reads data from the system making the latest information available for third party BMS while changing configuration when necessary allowing for connection to Modbus RTU or BACnet MS/TP, selectable by dip switch setting.

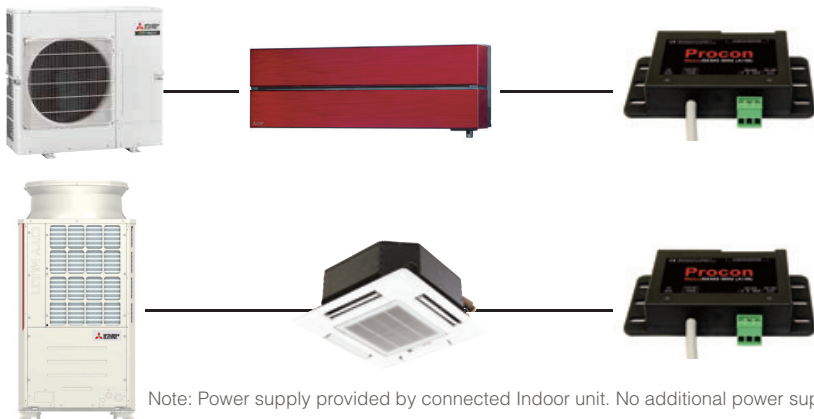
# KEY FEATURES

- » Remote monitoring\*      » Modbus or BACnet compatibility\*

\*One interface is required per indoor unit.

BMS INTERFACES	PROCON MINI
Description	Air to Air Modbus/BACnet Interface. Air (Water) to Water Modbus Interface
Connect to	Indoor
Max Number of Units	1
Compatibility	M Series, Mr Slim, CityMulti*
Power Supply	-
Power Supply Dimensions (W x D x H)	70 x 19 x 50 (mm)
Network	Modbus / BACnet RS485

# SYSTEM DIAGRAM

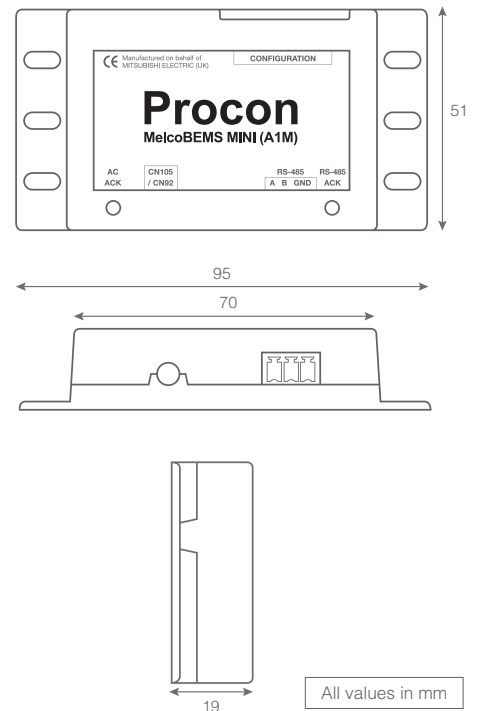


# SPECIFICATIONS

BMS INTERFACES		Procon MINI	
		Air to Air	Air (Water) to Water
Control	On/Off	DI	AI
	Mode	AI	AI
	Setpoint	AI	AI
	Fan Speed	AI	-
	Air Direction	AI	-
	Permit/Prohibit	x	AI
	Filter Sign	DI	-
Monitor	On/Off	DO	DO
	Mode	AO	AO
	Setpoint	AO	AO
	Fan Speed	AO	-
	Air Direction	AO	-
	Permit/Prohibit	x	AO
	Filter Sign	DO	-
	Fault Codes	AO	AO
	Room Temperature	AO	AO
	Daily kW Energy	-	AO
	Monthly kW Energy	-	AO

Key: DI = Digital Input. DO = Digital Output. AI = Analogue Input. AO = Analogue Output.

# DIMENSIONS



MitsubishiElectric.com.au

CREATED: JANUARY 2019

The specifications and information in this flyer are subject to change without notice. Colours depicted in this flyer may vary slightly. Images are for illustrational purposes only.